



**EMAIR**

[www.emair.co.za](http://www.emair.co.za)

## AJN

Spun aluminium alloy jet nozzle with special gasket seal between spherical element and the outer frame

Manually adjustable discharge nozzle - motorised option also available on request

For ceiling or wall installation at heights of 2,4m - 11,5m

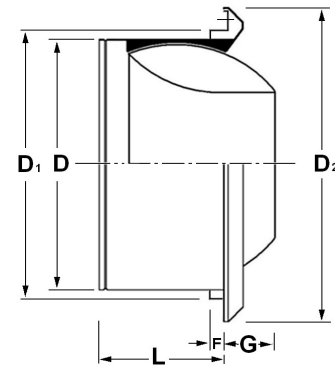
Fixing by means screws concealed by a removable front ring

Painted RAL9016 Standard - mill finish or non standard colours available on request

Sizes from 160mm to 400mm diameter



Size	D	D1	D2	L	F	G
160	158	165	198	99	10	28
200	197	211	248	110	12	28
250	246	259	303	140	12	28
315	310	325	382	165	12	43
400	394	409	485	203	14	51



### Quick Selection

Size	THROW									Terminal Velocity m/s
	10m			20m			30m			
	m3/h	Pa	dB[A]	m3/h	Pa	dB[A]	m3/h	Pa	dB[A]	
160	88	14	<20	172	50	<20	256	121	27	0.25
200	110	11	<20	228	28	<20	310	53	22	
250	138	<10	<20	280	19	<20	385	32	20	
315	180	<10	<20	350	11	<20	540	28	<20	
400	234	<10	<20	465	<10	<20	702	13	<20	
160	172	50	<20	335	181	44	505	420	50	0.50
200	228	28	<20	439	97	38	661	218	45	
250	280	18	<20	553	68	34	830	140	40	
315	350	11	<20	690	42	28	1055	97	33	
400	465	<10	<20	930	25	20	1394	48	26	
160	335	163	44	-	-	-	-	-	-	1.00
200	439	97	38	875	410	-	-	-	-	
250	553	68	34	1102	243	53	-	-	-	
315	690	42	28	1400	160	48	2106	372	-	
400	930	25	20	1860	85	42	2783	243	53	

Noise level shown are sound pressure levels dB[A] assuming 8dB room attenuation

All data for isothermal conditions